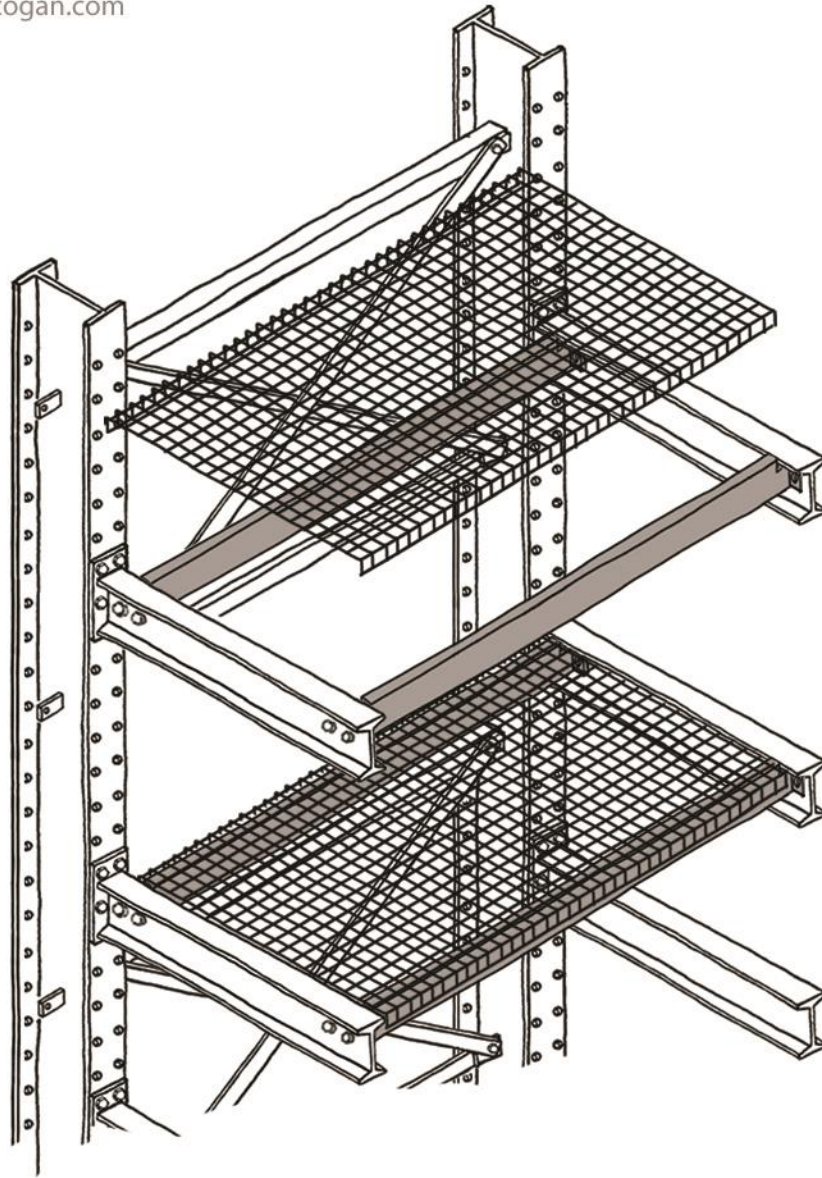


# INSTALLATION MANUAL

For the most current release of this manual,  
please visit our website at [cogan.com](http://cogan.com)

V.2018.1



<b>Product</b>	Racking
<b>Sub-product</b>	Cantilever rack shelf overlay

- Wire mesh available, refer to installation drawings.

Please note that whenever shelf beams are used, the  
cantilever arm capacities are reduced by 20%.

## INSTALLATION OF WIRE MESH DECKING

Lay down the shelf on top of the shelf beam support.  
Wire mesh decking sits between both cantilever arms.

Please note that optional  
mid-support beams are required  
depending on the load capacity  
being stored and depth of shelf.

